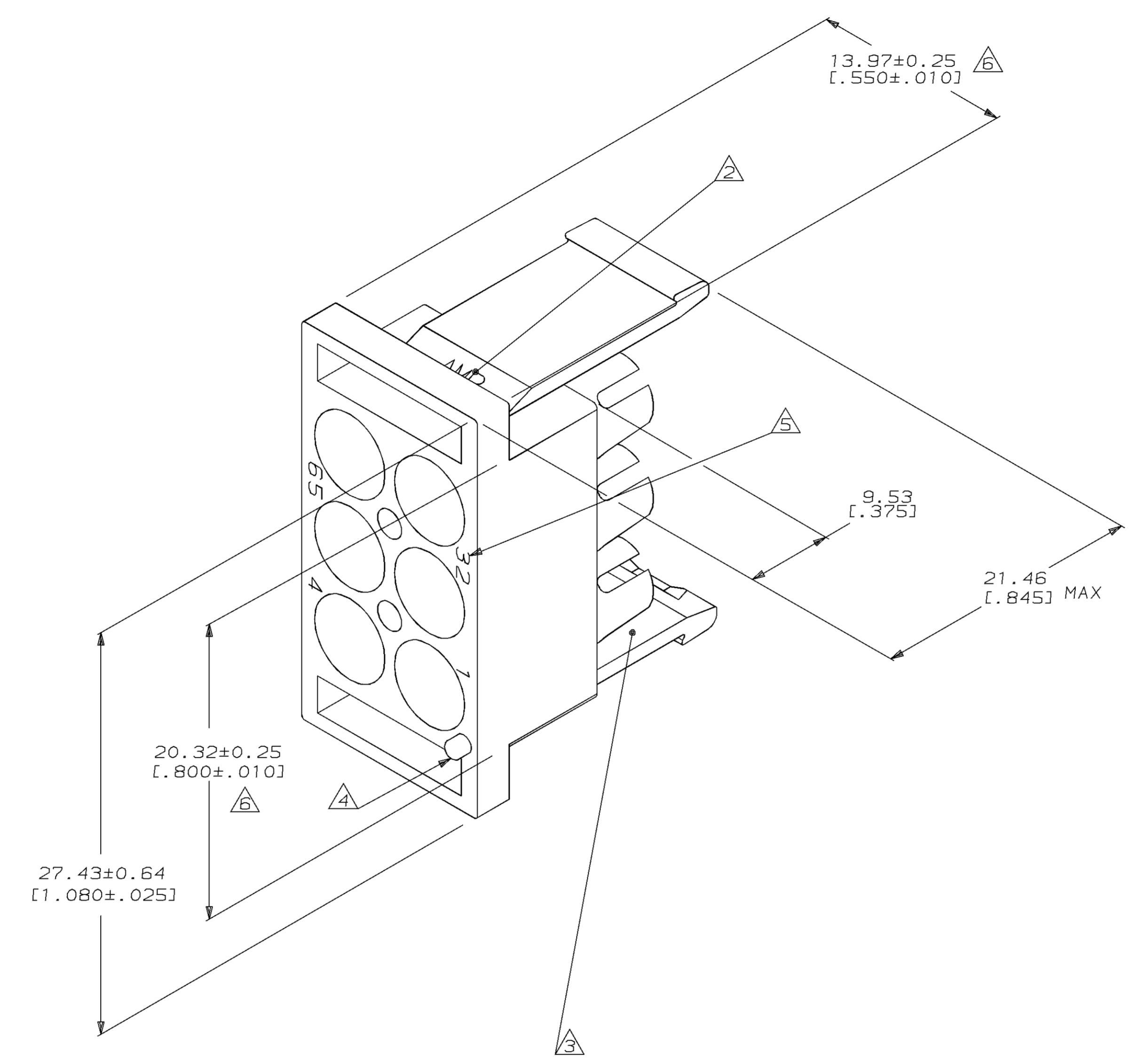


LOC		DIST		P		F		ZONE		LTR		REVISIONS		DATE	APPD	
CM	53												F	REV PER EC 0730-0040-95	4-18-95	RV



- MUST BE ASSEMBLED WITH PLUG FRONT P/N 770037-1 BEFORE MATING. KIT P/N IS 770020-1.
- AMP LOGO LOCATED THIS SURFACE.
- UL AND CSA LOGOS LOCATED ON FAR SIDE.
- CIRCUIT NO. 1 IDENTIFICATION BUTTON LOCATED APPROXIMATELY AS SHOWN.
- LOCATION OF CIRCUIT NUMBERS MOVE BUT WILL REMAIN ADJACENT TO APPROPRIATE CAVITY.
- DIMENSION INDICATED IS AS MOLDED. ADDITIONAL GROWTH DUE TO SUBSEQUENT MOISTURE ABSORPTION MAY OCCUR.
- DIMENSIONS IN BRACKETS ARE IN INCHES.

770038-1  
PART NUMBER

**METRIC**

DO NOT SCALE PRINT. UNLESS SPECIFIED DIMENSIONS IN mm TOLERANCES ON +		DR 1-15-92 K. SALMON		AMP INCORPORATED Harrisburg, Pa. 17105	
2 PLC DEC ± 0.13 [.005]		CHK 1-15-92 R. SWING		NAME	
ANGLES ±		APPD 1-16-92 M. TRULL		PLUG REAR, 6 CIRCUIT, UNIVERSAL MATE-N-LOK™ II	
MATERIAL NYLON, UL94V-0,		APPD 1-16-92 M. TRULL		SIZE <b>D</b> 00779	
FINISH		APPLICATION SPEC		DRAWING NO 770038	
WEIGHT		PRODUCT SPEC		SCALE 5:1	
				SHEET 1 OF 1	